

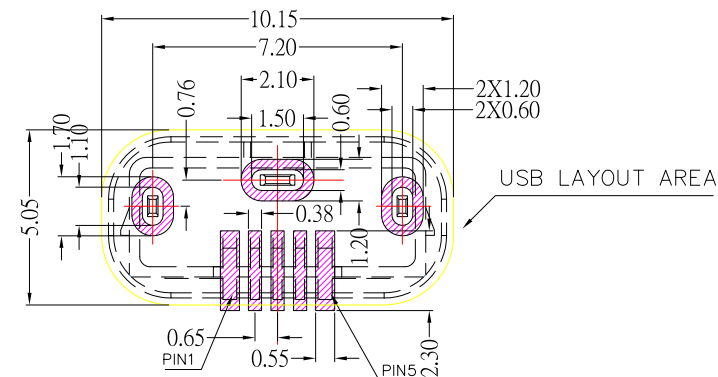
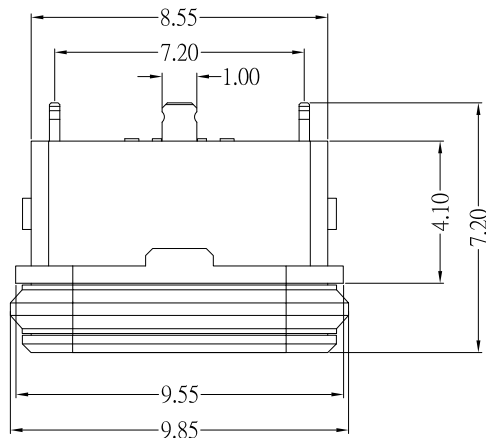
# IPX7



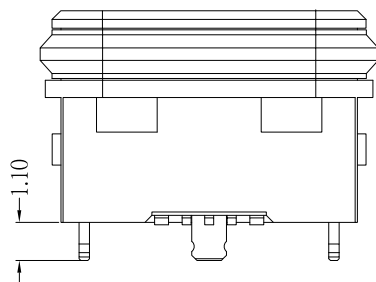
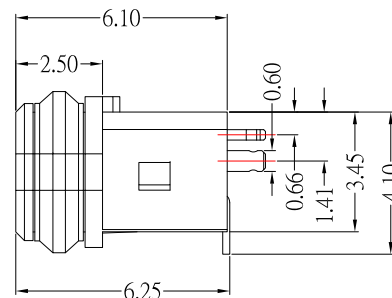
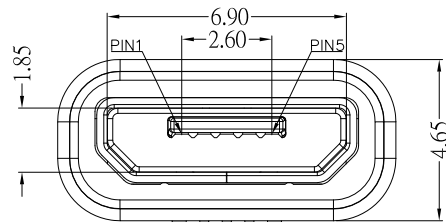
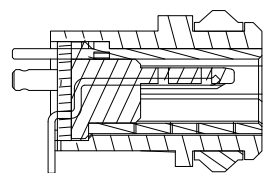
MRUSB-5B-WP21V-x-S347

鍍層厚度 :

Blank	: 1u"
2	: 15u"
3	: 30u"



P.C.B LAYOUT



NOTES:

MATERIAL:

- 1.1 HOUSING: LCP
- 1.2 CONTACT: PHOSPHOR BRONZE
- 1.3 SHELL: SUS

FINISH:

- 2.1 CONTACT: PLATED GOLD IN MATING AREA ;  
GOLD PLATED ON SOLDER BALLS ;  
NICKEL UNDER PLATED OVERALL
- 2.2 SHELL: TIN UNDER PLATED SURFACE LAYER

3.SPECIFICATION:

- 3.1 RATING: 2.0 A(PIN1,5) ; 1.0A( PIN2,3,4) , 30VAC
- 3.2 DIELECTRIC WITHSSTANDING VOLTAGE: 100 VAC
- 3.3 CONTACT RESISTANCE: 30 mΩ MAX.
- 3.4 INSULATION RESISTANCE: 100 MΩ MIN.

**CONTACT** 建倚科技股份有限公司  
CONTACT TECHNOLOGY CORP.

TOLERANCE UNLESS OTHERWISE STATED:	Up to 5 ±0.2	3RD. ANGEL'S	UNITS	MM
	Above 5 ~ 15 ±0.3			
	Above 15 ~ 30 ±0.4			
	Above 30 ~ 50 ±0.5			
	Angle ±0.3°			

DRAWN BY:	DATE	MAT'L	TITLE	CONNECTOR
Jack Lu	11/30/23			
CHECKED BY:	DATE	FINISH	MODLE	MICRO USB 5PF B TYPE 直立式 防水型 H6.25
Jacky Chen	11/30/23			
APPROVED BY:	DATE	SCALE	DWG NO.	MRUSB-5B-WP21V-x-S347
Tony Kao	11/30/23	1 : 1	PART NO.	MRUSB-5B-WP21V-x-S347
		SHEET NO.	1 of 2	SIZE A4
				VER R

ITEM NO.	DESCRIPTION	DRAWN	DATE